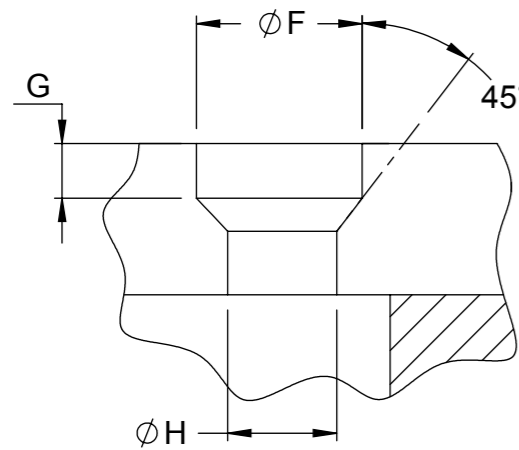
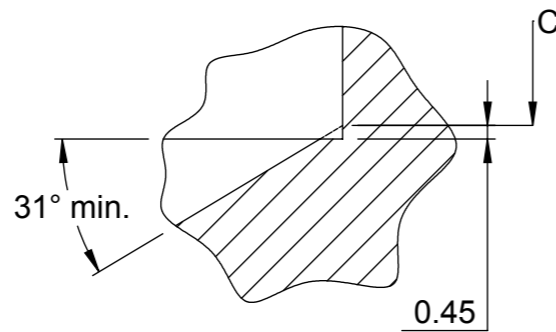


SECTION X-X



DETAIL a



DETAIL b

			MBU 1	MBU 2	MBU 3	MBU 4
			MBTR/ SAB 1	MBTR/ SAB 2	MBTR/ SAB 3	MBTR/ SAB 4
<b>A dia</b>	+0.2	mm	19.0	25.0	30.0	46.0
	-0					
	+0.008	inch	.748	.984	1.181	1.811
<b>B dia</b>	H7	mm	16.0	20.0	22.0	32.0
		inch	.6299	.7874	.8661	1.2598
<b>b1 dia</b>	drill point min	mm	14.5	18.5	20.5	30.5
		inch	.571	.728	.807	1.2
<b>C</b>	+0.2	mm	12.5	15.5	24.0	36.0
	-0					
	+0.008	inch	.492	.610	.945	1.417
<b>D</b>		mm	3.7	4.0	5.0	6.3
		inch	.146	.157	.197	.248
<b>E</b>		mm	9.65	12.5	15.4	23.0
		inch	.380	.492	.606	.906
<b>F dia</b>	+0.1	mm	4.6	4.6	6.5	11.6
	-0					
	+0.004	inch	.181	.181	.256	.457
<b>G</b>		mm	2.5	1.6	1.8	0
		inch	.098	.063	.071	0
<b>H dia</b>		mm	3.2	3.2	4.3	5.4
		inch	.126	.126	.169	.213
<b>J</b>		mm	M3 x 0.5	M3 x 0.5	M4 x 0.7	M5 x 0.8
<b>K</b>	min.	mm	10.0	9.0	13.0	16.0
		inch	.393	.354	.512	.630